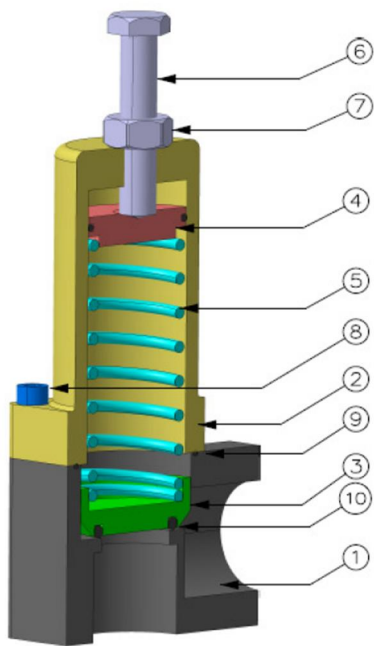


iSystems Industries' relief valves are devices engineered in order to maintain safety by releasing the excess pressure that may occur in gas pressure lines, tanks, etc. into the atmosphere. Thanks to its design, usage and maintenance is easy. You may use these valves with non-corrosive gasses such as natural gas, LPG, air and nitrogen.

Generally, the relief valve is mounted on the outlet side of the regulators and releases the gas into the atmosphere. The diameter of the pipe connected to the outlet must not be smaller than the diameter of the relief valve.

The performance of the valve is not affected by the type of connection and the valve can be mounted in any direction.



BILL OF MATERIAL

No	Name	Spare Part
1	Body	
2	Cover	
3	Stopper	
4	Spring ring	
5	Spring	
6	Spring adjust screw	
7	Screw tack	
8	Cover screws	
9	Body o-ring	X
10	Stopper o-ring	X

ADJUSTMENT

To adjust, turn the adjust screw by clockwise and push the spring down. It is recommended to set relief pressure above 15% of operating pressure.

Adjustment Range [barg]	Set Pressure [barg]
0,3-0,7	0,5
0,7-2,5	2
2-4,5	4
4-7,5	6
7-12	10

	Materials
Body, cover	AL
Spring	Steel, Chrome Coated
O-rings	H-NBR (EN 549)
Internal parts	MS 58, AL